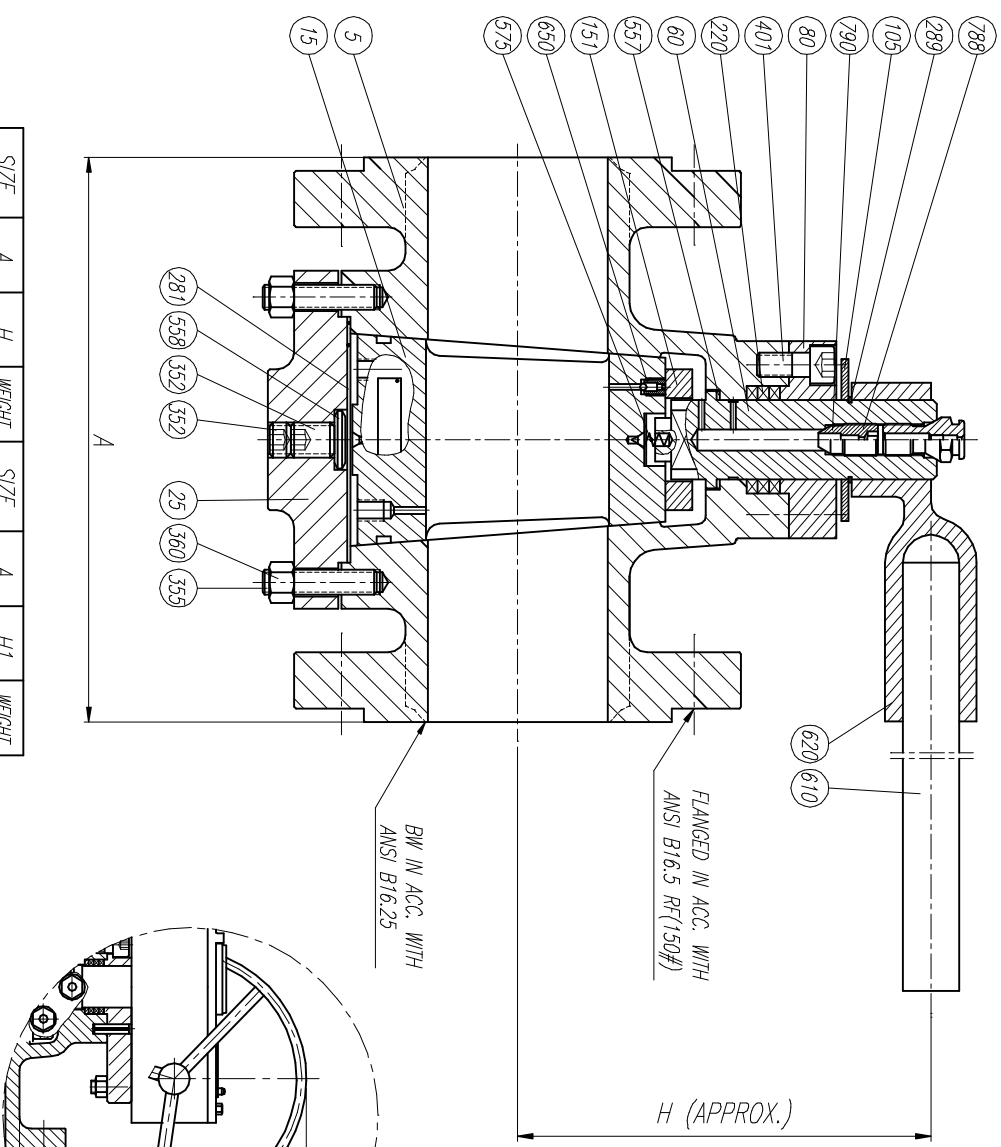


LIST OF MATERIALS

POS.	DESCRIPTION
5	BODY
15	PLUG
25	LOWER BONNET
60	STEM
80	GLAND
105	INDICATOR
151	STEM GUIDE
220	PACKING
281	METAL GASKET
289	HANDLE GASKET
352	ADJUSTABLE BOLT
355	BODY BONNET STUD
360	BODY BONNET STUD NUT
401	GLAND BOLT
557	SLIP WASHER
558	THRUST WASHER
575	ANTISTATIC SPRING
610	HANDLE
620	HAND HOLD
650	GREASE FITTING
788	INJECTION VALVE
790	CHECK VALVE



ELECTRICAL AND PNEUMATIC OPERATION UPON REQUEST

SIZE	A	H	WEIGHT	SIZE	A	H1	WEIGHT
1/2"	108	120	8	6"	394	420	120
3/4"	117	121	9	8"	475	495	140
1"	140	123	10	10"	533	590	210
1 1/2"	165	144	15	12"	610	705	265
2"	178	171	20	14"	686	750	400
2 1/2"	191	196	23	16"	762	825	560
3"	203	224	27	18"	864	910	605
4"	229	262	51				

REV		Description		Drawn		Date		Approved		Date	
		RINGO VALVULAS GENERAL ASSEMBLY & LIST OF MATERIALS		Title: PLUG VALVE 150#		Size: A3		Drwg No. PR011		REV 0	
Drawn	ALD	Date	1/12/03	Gen Tol	±0.4	Scale		Sheet	1 / 1	Approved	