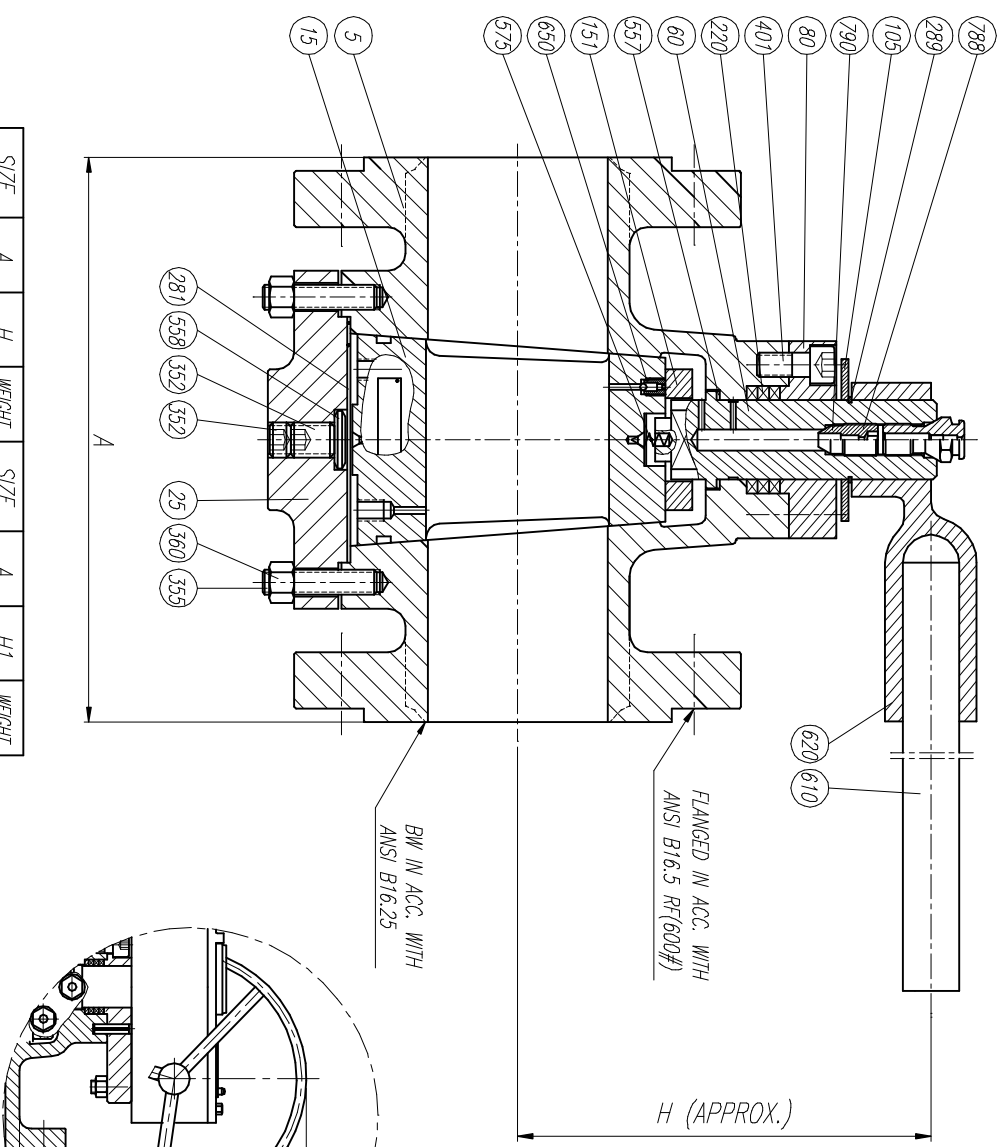


LIST OF MATERIALS

POS.	DESCRIPTION
5	BODY
15	PLUG
25	LOWER BONNET
60	STEM
80	GLAND
105	INDICATOR
151	STEM GUIDE
220	PACKING
281	METAL GASKET
289	HANDLE GASKET
352	ADJUSTABLE BOLT
355	BODY BONNET STUD
360	BODY BONNET STUD NUT
401	GLAND BOLT
557	SLIP WASHER
558	THRUST WASHER
575	ANTISTATIC SPRING
610	HANDLE
620	HAND HOLD
650	GREASE FITTING
788	INJECTION VALVE
790	CHECK VALVE



ELECTRICAL AND PNEUMATIC OPERATION UPON REQUEST

SIZE	A	H	WEIGHT	SIZE	A	H1	WEIGHT
1/2"	165	120	11	6"	559	450	210
3/4"	191	121	12	8"	660	545	420
1"	216	124	13	10"	787	645	740
1 1/2"	241	145	21	12"	838	705	1150
2"	292	172	26	14"	889	790	1300
2 1/2"	330	198	31	16"	991	850	1550
3"	356	225	47	18"	1092	950	1800
4"	432	265	96				

REV		Description		Drawn		Date		Approved		Date	
		RINGO VALVULAS GENERAL ASSEMBLY & LIST OF MATERIALS		Title: PLUG VALVE 600#		Size: A3		Drwg No.: PR061		REV: 0	
Drawn	ALD	Date	1/12/03	Gen Tol	±0.4	Scale		Sheet	1 / 1	Approved	