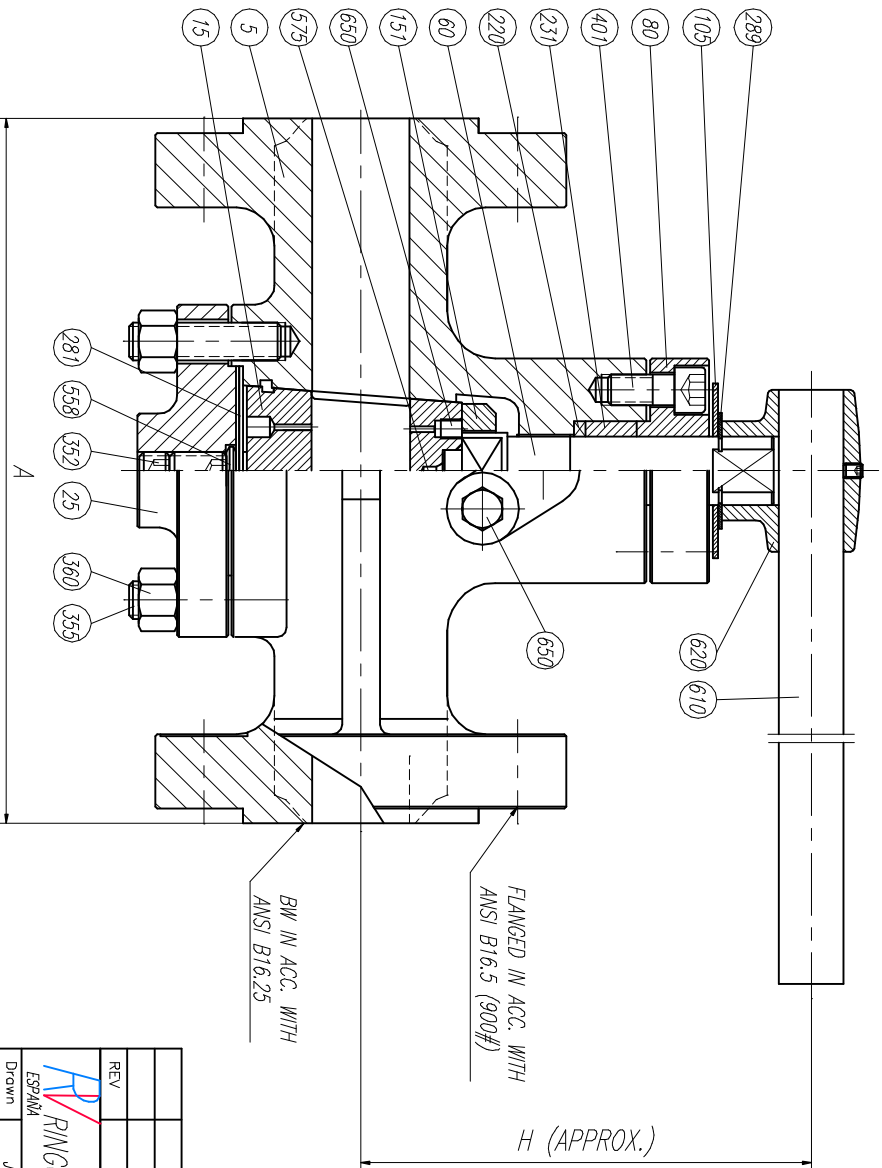


ELECTRICAL AND PNEUMATIC OPERATION UPON REQUEST



SIZE	A	H	H1	WEIGHT
2"	368	177	—	30
2 1/2"	419	229	—	40
3"	381	245	—	60
4"	457	275	—	120
6"	610	—	302	250
8"	737	—	350	480
10"	838	—	435	800
12"	965	—	504	1225
14"	1029	—	510	1510
16"	1130	—	584	1725
18"	1219	—	597	2020

POS.	DESCRIPTION
5	BODY
15	PLUG
25	LOWER BONNET
60	STEM
80	GLAND
105	INDICATOR
151	STEM GUIDE
220	PACKING
231	PACKING RING
281	METAL GASKET
289	HANDLE GASKET
352	ADJUSTABLE BOLT
355	BODY BONNET STUD
360	BODY BONNET STUD NUT
401	GLAND BOLT
558	THRUST WASHER
575	ANTISTATIC SPRING
610	HANDLE
620	HANDLE HOLD
650	GREASE FITTING

REV	Description	Drawn	Date	Approved	Date

		DESCRIPTION RINGO VALVULAS GENERAL ASSEMBLY & LIST OF MATERIALS	
Drawn JLO	Date 1/10/03	Gen Tol ±0.4	Sheet 1 / 1
Approved	Escala 	Size A3	Drwg No. PR091
			REV 0