

ELECTRICAL AND PNEUMATIC OPERATION UPON REQUEST

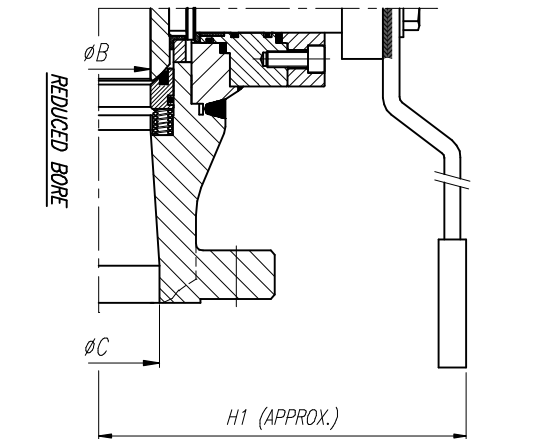
FULL B. H (APPROX.)
RED. B. H1 (APPROX.)

LIST OF MATERIALS

POS.	PART NAME	MATERIAL
5	BODY	A105
10	ADAPTOR	A105
15	BALL	A105 + ENP
35	UPPER BODY BONNET	A105
60	SHaft	A4-79 T410
70	SEAT	PTFE
75	SEAT CARRIER	A105 + ENP
100	BALL GUIDE	A105
170	SUPPORT FLANGE	A105
190	UPPER BEARING	DU-DRY
200	UPPER BEARING BALL GUIDE	DU-DRY
238	SUPPORT FLANGE GASKET	GRAPHITE
287	UPPER BONNET GASKET	GRAPHITE
315	UPPER BONNET "O" RING	VITON
325	SEAT CARRIER "O" RING	VITON
335	STEM "O" RING	VITON
353	HANDLE BOLT	CARBON STEEL
421	SUPPORT FLANGE BOLT	A193 B7
445	UPPER BONNET BOLT	CARBON STEEL
558	THRUST BEARING	DU-DRY
565	WASHER	CARBON STEEL
580	SEAT SPRING	INCONEL X750
610	HANDLE PLATE	CARBON STEEL
620	HANDLE	CARBON STEEL

OTHERS MATERIALS AVAILABLE UPON REQUEST

SIZE	A				WEIGHT	
	BW	RF	RTU	ØB	H	L
34"	1626	1473	—	832	781	1430
36"	1727	1524	—	876	832	1490
40"	1930	1727	—	978	876	1590
42"	2134	1930	—	1022	978	1680



SIZE	A						WEIGHT			
	BW	RF	RTU	ØB	ØC	H	H1	L	FULL BORE	REDUCED BORE
2"	216	178	190	51	—	125	—	280	25	—
3"	283	203	216	76	51	150	125	380	33	29
4"	305	229	241	102	76	190	150	480	48	38
6"	457	394	406	152	102	240	190	480	143	86
8"	521	457	470	203	152	425	240	600	185	171
10"	559	533	546	254	203	550	425	600	370	304
12"	635	610	622	305	254	690	550	600	522	442
14"	762	686	698	337	305	775	690	600	741	589
16"	838	762	775	387	337	830	775	600	960	808
18"	914	864	876	438	387	900	830	600	1180	1036
20"	991	914	927	489	438	990	900	600	1710	1255
24"	1143	1067	1079	590	489	1070	990	600	2955	1957
26"	1245	1143	—	635	590	1170	1170	600	3325	3105
28"	1346	1245	—	686	635	1225	1170	600	3753	3467
30"	1397	1295	—	737	686	1290	1225	600	4150	3895
32"	1524	1372	—	781	737	1350	1290	600	4560	4322

RINGCO VALVULAS
 GENERAL ASSEMBLY & LIST OF MATERIALS
 BALL VALVE 150#
 Title: BALL VALVE 150#
 Drawn: JLO Date: 20/12/03 Gen Tol: ± 0.4 Scale: AS3
 Appr: [Signature] Date: [] Date: []
 Sheet: [] of []
 Rev: 0