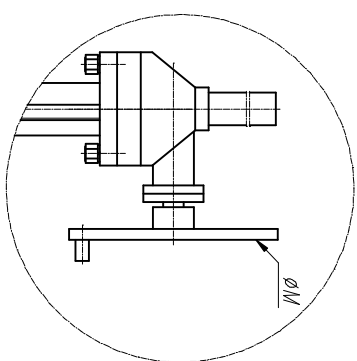
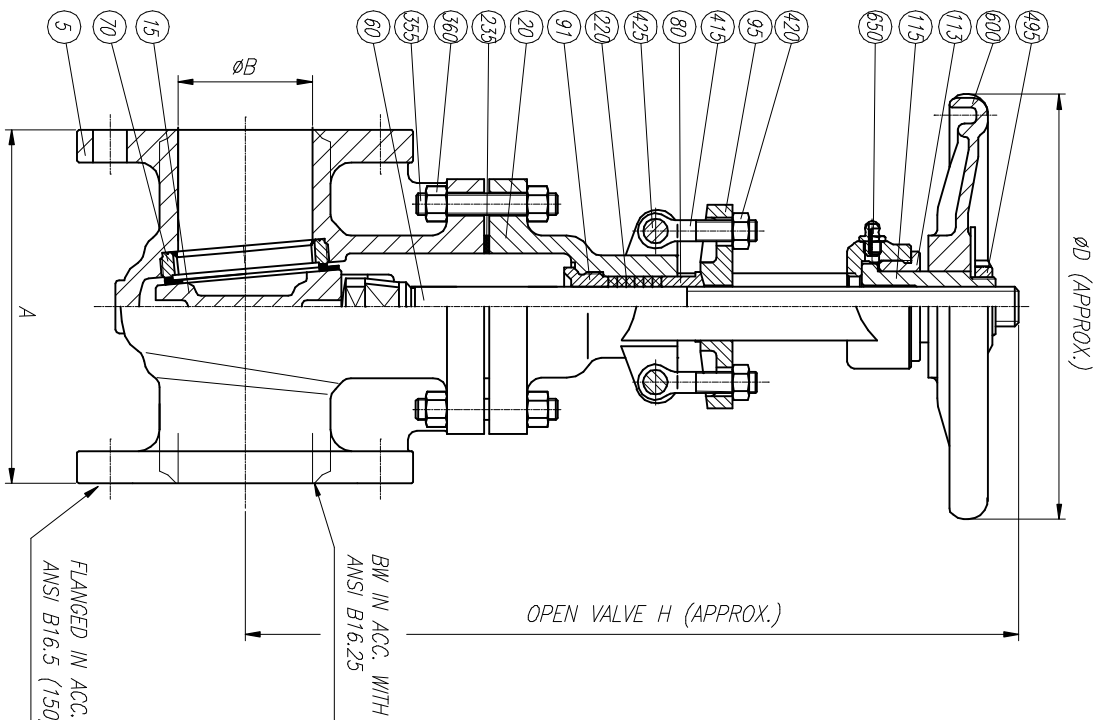


ELECTRICAL AND PNEUMATIC OPERATION UPON REQUEST



| SIZE | A(RF) | A(BW) | ØB | Hmax | ØD | ØM | WEIGHT |
|--------|--------|--------|--------|------|-----|------|--------|
| 1 1/2" | 165 | 165 | 38.1 | 286 | 150 | — | 18 |
| 2" | 178 | 216 | 50.8 | 386 | 200 | — | 20 |
| 2 1/2" | 191 | 241 | 63.5 | 492 | 200 | — | 29 |
| 3" | 203 | 282 | 76.2 | 520 | 250 | — | 32 |
| 4" | 229 | 305 | 101.6 | 603 | 300 | — | 51 |
| 6" | 267 | 403 | 152.4 | 775 | 350 | — | 86 |
| 8" | 292 | 419 | 203.2 | 958 | 350 | — | 130 |
| 10" | 330 | 457 | 254 | 1212 | 400 | — | 216 |
| 12" | 356 | 502 | 304.8 | 1411 | 450 | — | 312 |
| 14" | 381 | 571.5 | 336.7 | 1600 | 500 | — | 445 |
| 16" | 406 | 609.6 | 387.4 | 1820 | 600 | — | 540 |
| 18" | 438.2 | 660.4 | 438.2 | 1965 | 700 | — | 700 |
| 20" | 458 | 711.2 | 489 | 2180 | — | 460 | 900 |
| 24" | 508 | 812.8 | 590.6 | 2630 | — | 600 | 1265 |
| 28" | 609.6 | 914.4 | 692.1 | 3040 | — | 600 | 1905 |
| 30" | 609.6 | 914.4 | 743 | 3240 | — | 600 | 2075 |
| 36" | 711.2 | 1016 | 876.3 | 3800 | — | 1000 | 3195 |
| 40" | 812.8 | 1066.8 | 978 | 4200 | — | 1000 | 1905 |
| 42" | 812.8 | 1143 | 1022.3 | 4450 | — | 1000 | 2075 |
| 48" | 1066.8 | 1371.6 | 1168.4 | 5020 | — | 1000 | 3195 |

| LIST OF MATERIALS | |
|-------------------|----------------------|
| POS. | DESCRIPTION |
| 5 | BODY |
| 15 | WEDGE |
| 20 | BONNET-YOKE |
| 60 | STEM |
| 70 | SEAT RING |
| 80 | GLAND |
| 91 | BACK SEAT |
| 95 | GLAND FLANGE |
| 113 | BONNET UPPER NUT |
| 115 | YOKE SLEEVE |
| 220 | PACKING |
| 235 | BODY BONNET GASKET |
| 355 | BODY BONNET STUD |
| 360 | BODY BONNET STUD NUT |
| 415 | EYEBOLT |
| 420 | EYEBOLT NUT |
| 425 | EYEBOLT BOLT |
| 495 | HANDWHEEL NUT |
| 600 | HANDWHEEL |
| 650 | GREASE FITTING |

| | | | | | |
|----------|-----|--|---------|------------------------------|--------|
| REV | | Description | | Title: | |
| | | | | Drawn | Date |
| | | | | Approved | Date |
| | | Description GENERAL ASSEMBLY & LIST OF MATERIALS | | Title: GATE VALVE 150# | |
| Drawn | JLO | Date | 1/10/03 | Gen Tol ±0.4 | Scale |
| Approved | | Sheet | 1 / 1 | | |
| | | | | Size | A3 |
| | | | | Drwg No. | CRO1A2 |
| | | | | REV | 0 |