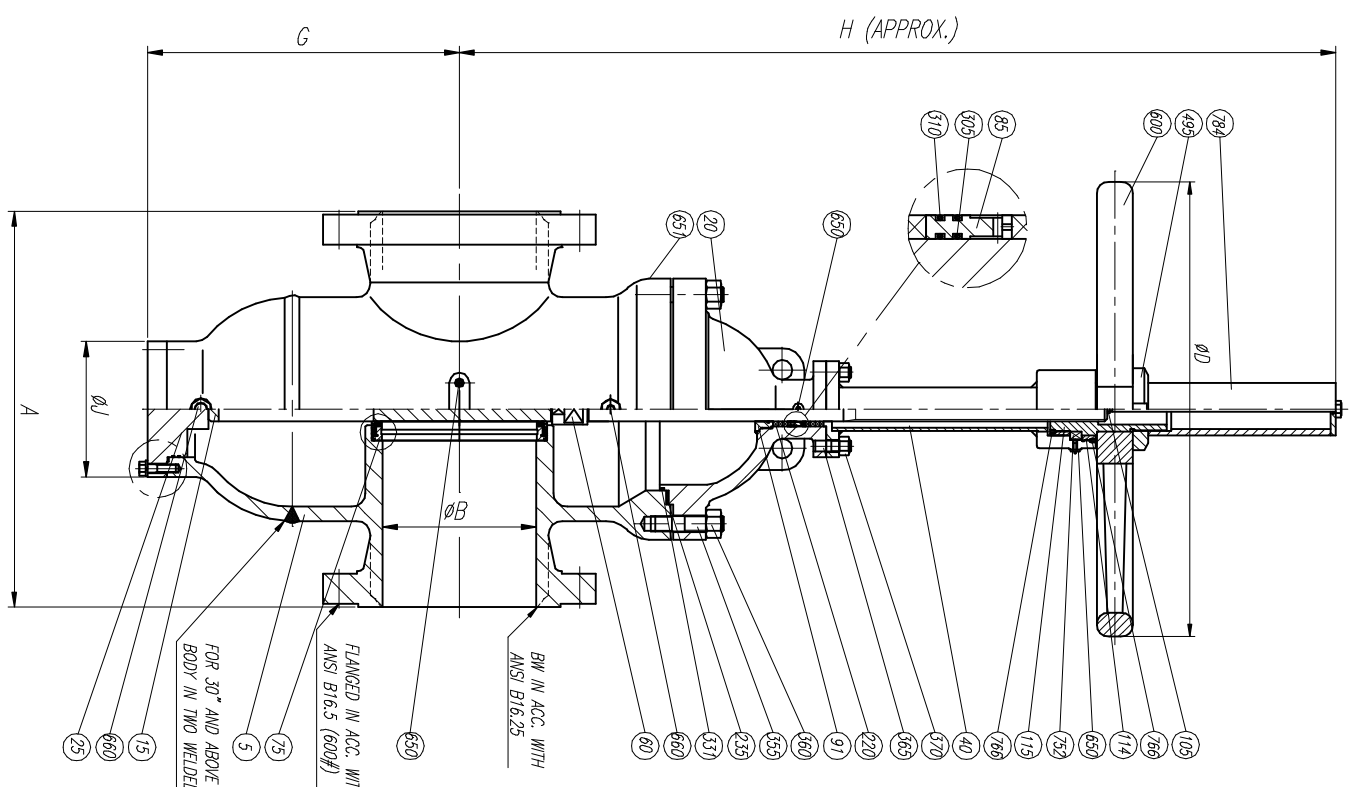
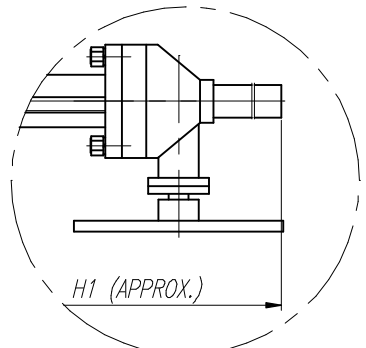


ELECTRICAL AND PNEUMATIC OPERATION UPON REQUEST



SIZE	A	ØB	H	H1	C	Ø1	ØD	WEIGHT
2"	292.1	50.8	595	—	138	80	200	60
3"	355.6	76.2	720	—	182	110	250	90
4"	431.8	101.6	852	—	226	135	300	150
6"	558.8	152.4	1128	—	300	188	500	350
8"	680.4	203.2	1360	—	400	205	600	650
10"	787.4	254	1580	—	490	285	600	1000
12"	838.2	304.8	1805	—	570	295	600	1400
14"	889	336.6	—	2318	649	295	—	1900
16"	990.6	387.3	—	2504	735	295	—	2300
18"	1092.2	438.1	—	2745	803	305	—	3500
20"	1193.8	489	—	3003	914	315	—	4800
24"	1397	590.5	—	3468	1073	350	—	5800
26"	1447.8	635	—	3680	1240	350	—	6500
28"	1549.4	685.8	—	4020	1460	415	—	8000
30"	1651	737	—	4374	1550	415	—	9000
36"	2083	876	—	4874	1780	480	—	15000
42"	2083	1022	—	5390	1895	480	—	25000

LIST OF MATERIALS

POS.	PART NAME
5	BODY
15	WEDGE
20	BONNET
25	BONNET LOWER
40	YOKER
60	STEM
70	SEAT
75	SEAT CARRIER
85	LANTERN RING
91	BACKSEAT
105	INDICATOR
114	UPPER YOKE NUT
115	YOKE SLEEVE
220	PACKING
235	BODY BONNET GASKET
275	BONNET LOWER GASKET
305	LANTERN RING O RING
310	LANTERN RING O RING
325	SEAT CARRIER O RING
330	BONNET LOWER O RING
331	BONNET O RING
355	BODY BONNET STUD
360	BODY BONNET STUD NUT
365	BONNET YOKE STUD
370	BONNET YOKE STUD NUT
375	BONNET LOWER BOLT
485	ACTUATOR BOLT
495	HANDWHEEL NUT
530	BONNET LOWER BOLT WASHER
600	HANDWHEEL
650	GREASE FITTING
651	NAMEPLATE
660	PLUG
766	SCREW
784	PROTECTION TUBE

REV	Description	Drawn	Date	Appr	Date

Drawn	JLO	Date	1/10/03	Gen Tol ± 0.4	Scale	—	Size	A3	Dwg No	TR06A2	REV	0
Appr												

--	--	--	--	--	--	--	--	--	--	--	--	--

RV  
RINGO VALVES  
ESPANA

GENERAL ASSEMBLY & LIST OF MATERIALS

Title: GATE THROUGH CONDUIT VALVE BOLTED BONNET 600#

