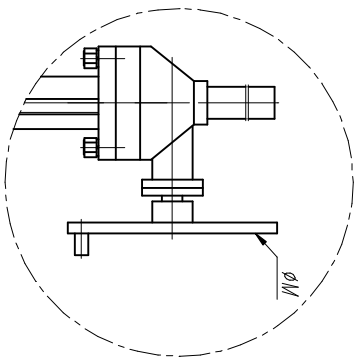
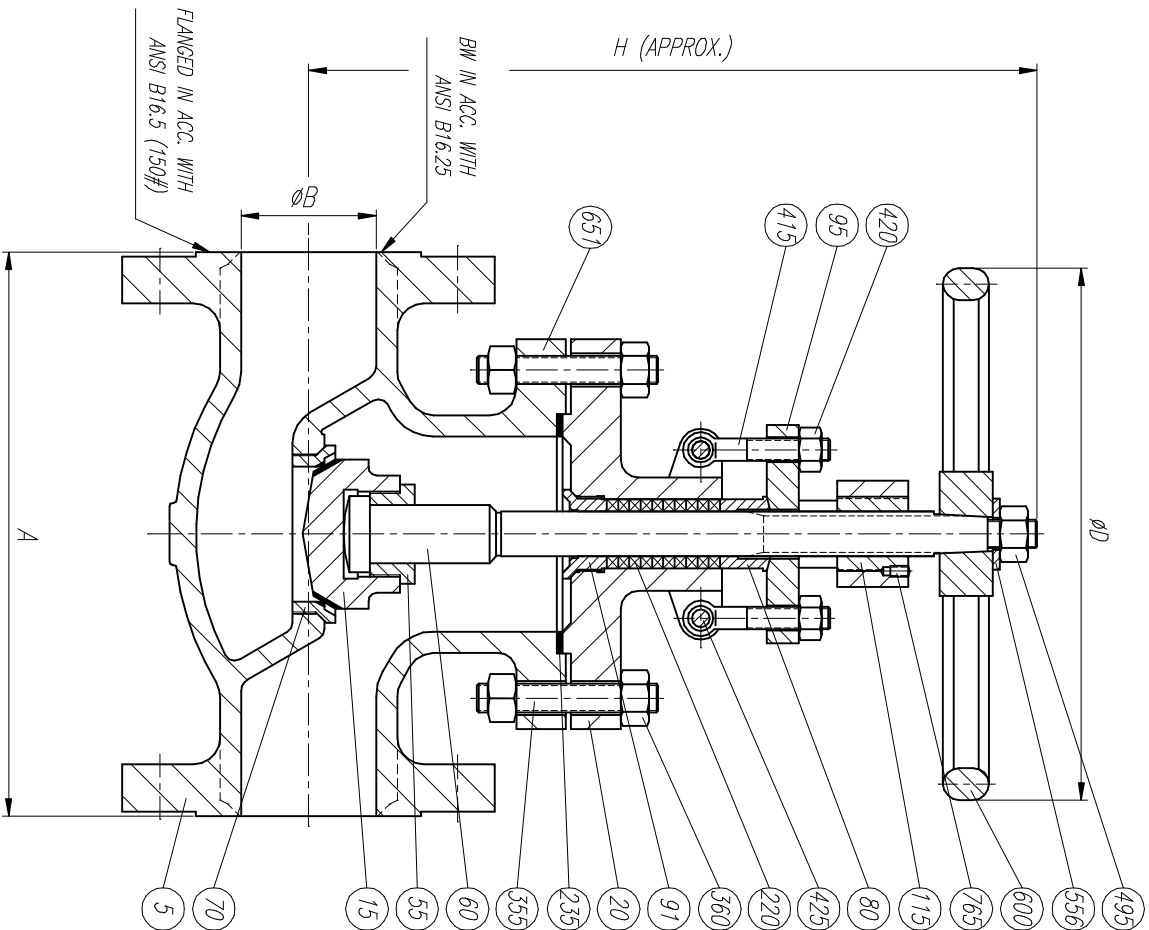


ELECTRICAL AND PNEUMATIC OPERATION UPON REQUEST



SIZE	A	ØB	H	ØD	ØM	WEIGHT
2"	203.2	51	381	200	—	22
2 1/2"	216	63.5	430	250	—	31
3"	241.3	76	470	250	—	41
4"	292.1	102	536	300	—	64
6"	406.4	152	642	350	—	113
8"	495.3	203	757	—	300	190
10"	622.3	254	855	—	300	240
12"	698.5	305	1230	—	400	420
14"	787.4	337	1450	—	400	640
16"	914.4	387	1645	—	500	920

LIST OF MATERIALS

POS.	DESCRIPTION
5	BODY
15	DISC
20	BONNET
55	DISC NUT
60	STEM
70	SEAT RING
80	GLAND
91	BACK SEAT
95	GLAND FLANGE
115	STEM NUT
220	PACKING
235	BODY BONNET GASKET
355	BODY BONNET STUD
360	BODY BONNET STUD NUT
415	EYEBOLT
420	EYEBOLT NUT
425	EYEBOLT BOLT
495	HANDWHEEL NUT
556	HANDWHEEL WASHER
600	HANDWHEEL
651	NAMEPLATE
765	STEM NUT SCREW

REV	Description	Drawn	Date	Approved	Date

	RINGO VALVULAS GENERAL ASSEMBLY & LIST OF MATERIALS	Title: GLOBE VALVE 150#	Drawn	Date	Approved	Date
Drawn JLO	Date 10/10/03	Gen Tol ±0.4 Sheet 1 / 1	Escala 	Size A3	Drwg No. GR01A2	REV 0
Approved	Date 10/10/03	Sheet 1 / 1	Escala 	Size A3	Drwg No. GR01A2	REV 0