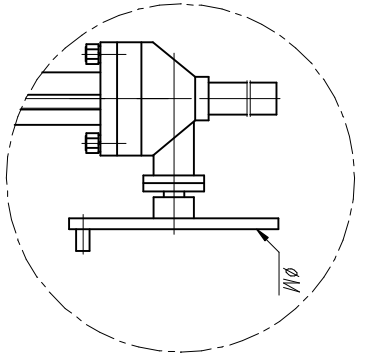
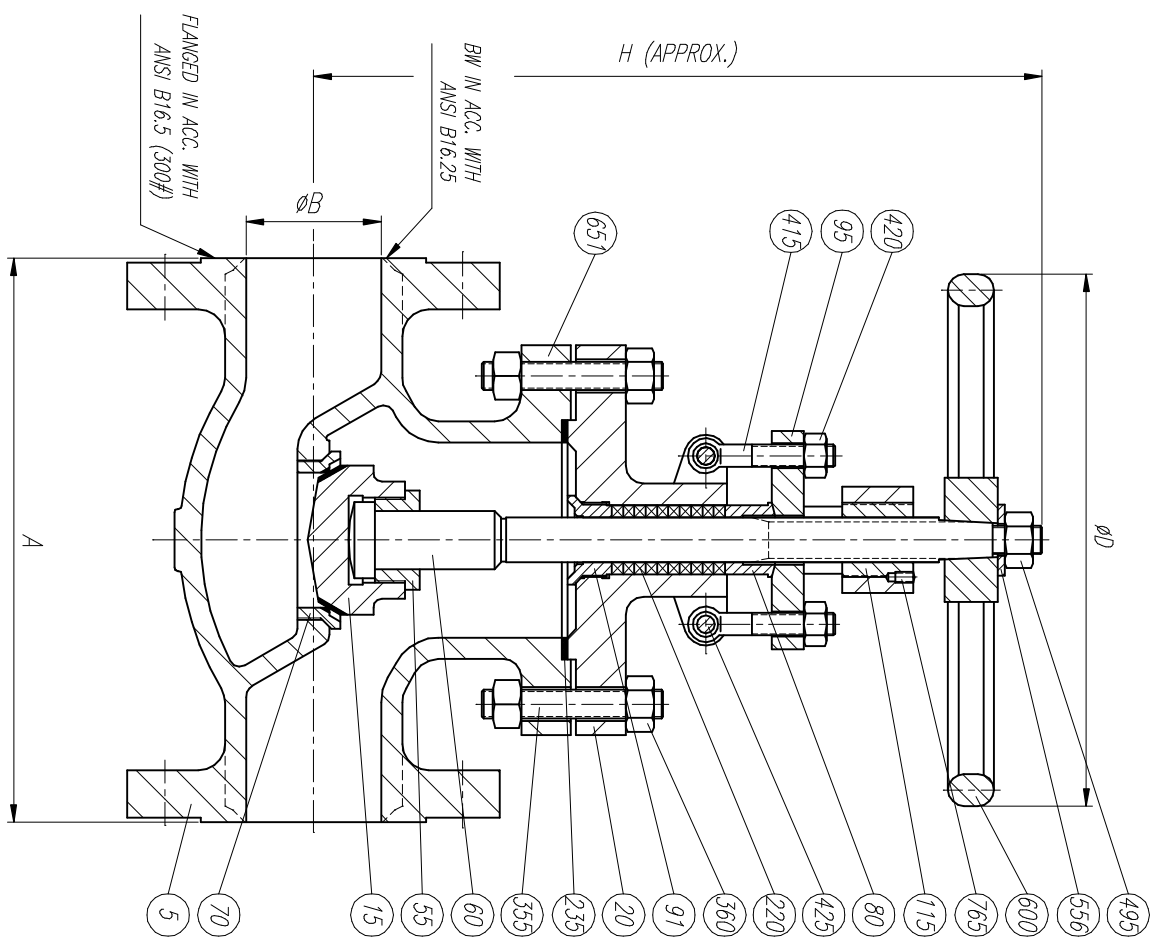


ELECTRICAL AND PNEUMATIC OPERATION UPON REQUEST



SIZE	A	ØB	H	ØD	ØM	WEIGHT
2"	266.7	51	422	200	—	30
2 1/2"	292	63.5	468	250	—	45
3"	317.5	76	520	300	—	55
4"	355.6	102	610	350	—	90
6"	444.5	152	785	450	—	180
8"	568.8	203	870	—	400	280
10"	622.3	254	1045	—	500	420
12"	711.2	305	1140	—	600	645
14"	838	337	1155	—	600	880
16"	864	387	1325	—	750	1300

LIST OF MATERIALS

POS.	DESCRIPTION
5	BODY
15	DISC
20	BONNET
55	DISC NUT
60	STEM
70	SEAT RING
80	GLAND
91	BACK SEAT
95	GLAND FLANGE
115	STEM NUT
220	PACKING
235	BODY BONNET GASKET
355	BODY BONNET STUD
360	BODY BONNET STUD NUT
415	EYEBOLT
420	EYEBOLT NUT
425	EYEBOLT BOLT
495	HANDWHEEL NUT
556	HANDWHEEL WASHER
600	HANDWHEEL
651	NAMEPLATE
765	STEM NUT SCREW

REV	Description	Drawn	Date	Approved	Date

		RINGO VALVULAS GENERAL ASSEMBLY & LIST OF MATERIALS		Title: GLOBE VALVE 300#	
Drawn	JLO	Date	10/10/03	Gen Tol	±0.4
Approved				Sheet	1 / 1
				Scale	AS
				Size	A3
				Drwg No.	GR0342
				REV	0