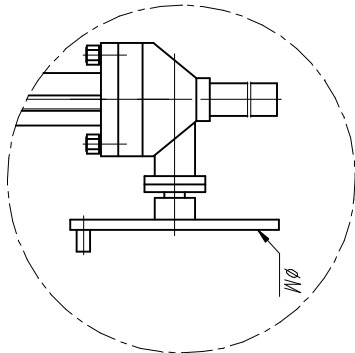
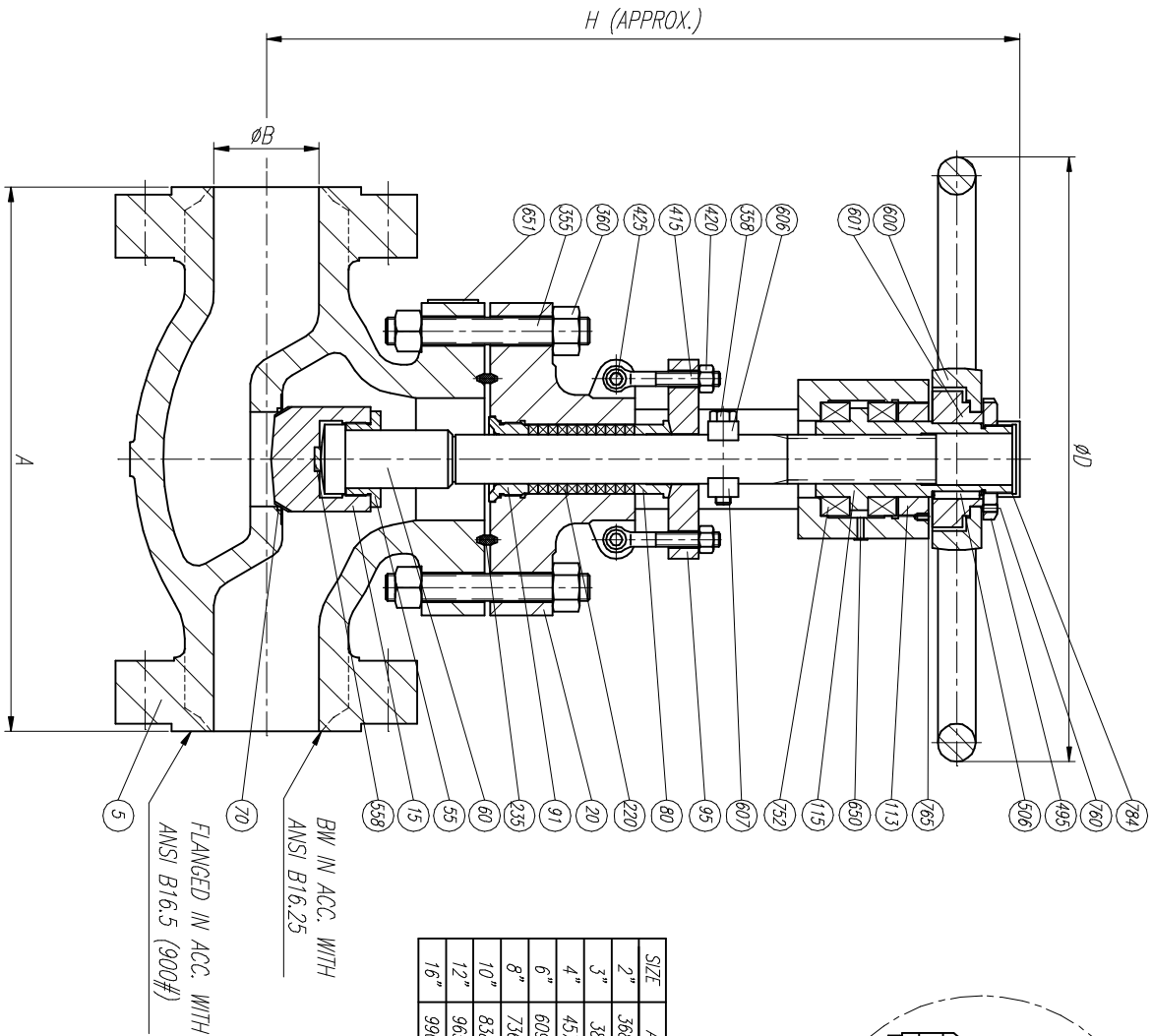


ELECTRICAL AND PNEUMATIC OPERATION UPON REQUEST



SIZE	A	ØB	H	ØD	ØM	WEIGHT
2"	368,2	51	483	320	—	60
3"	381	73	605	500	—	120
4"	457,2	98	661	550	—	150
6"	609,6	146	853	700	—	320
8"	736,6	191	1105	—	500	490
10"	838,2	238	1330	—	650	710
12"	965,2	283	1650	—	700	990
16"	990,6	375	2100	—	900	1550

POS.	DESCRIPTION
5	BODY
15	DISC
20	BONNET
55	DISC NUT
60	STEM
70	SEAT RING
80	GLAND
91	BACK SEAT
95	GLAND FLANGE
113	UPPER BONNET NUT
115	STEM NUT
220	PACKING
235	BODY BONNET GASKET
355	BODY BONNET STUD
358	GUIDE BOLT
360	BODY BONNET STUD NUT
415	EYEBOLT
420	EYEBOLT NUT
425	EYEBOLT BOLT
495	HANDWHEEL NUT
506	HANDWHEEL KEY
558	THRUST PLATE
600	HANDWHEEL
601	IMPACT PLATE
606	FRONT GUIDE PLATE
607	BACK GUIDE PLATE
650	GREASE FITTING
651	NAMEPLATE
752	BEARING
760	HANDWHEEL NUT SCREW
765	STEM NUT SCREW
784	PROTECTION TUBE

REV	Description	Drawn	Date	Approved	Date

		Description RINGO VALVULAS & LIST OF MATERIALS		Detail Gen Tol ±0.4 Sheet 1 / 1	
Drawn	JLO	Date	10/10/03	Scale	A3
Approved					

Title: GLOBE VALVE 900#		Drawn Date	Approved Date
Size A3	Drwg No. GR09A2	REV 0	REV 0