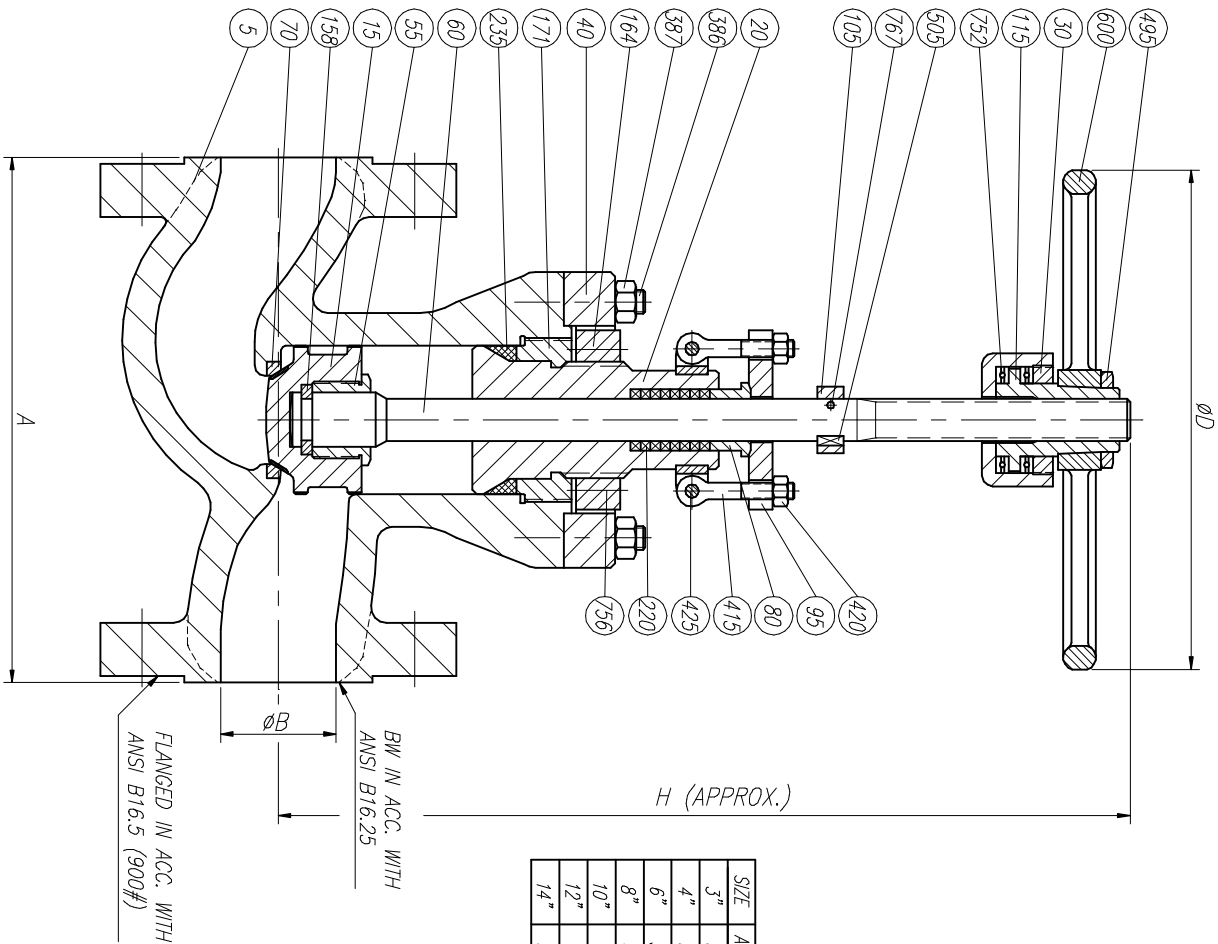
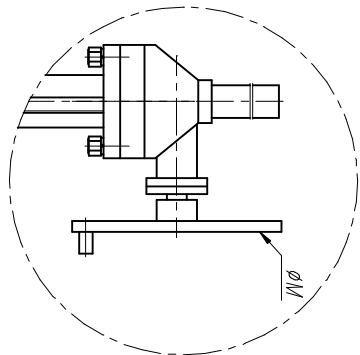


ELECTRICAL AND PNEUMATIC OPERATION UPON REQUEST



SIZE	A(BW)	A(RE)	ØB	H	ØD	ØM	WEIGHT
3"	304	381	73	640	350	—	105
4"	355	457	98	775	500	—	170
6"	508	609	146	1070	500	—	370
8"	660	736	190	1340	600	—	720
10"	787	838	238	1580	—	600	1200
12"	914	965	282	1650	—	800	1580
14"	990	1028	311	1800	—	800	2125

POS.	DESCRIPTION
5	BODY
15	DISC
20	BOWNET
30	BEARING BOWNET
40	YOKE
55	DISC NUT
60	STEM
70	SEAT RING
80	GLAND
95	GLAND FLANGE
105	INDICATOR
115	STEM NUT
158	DISC RING
164	ADJUSTING RING
171	RETAINING RING
220	PACKING
235	BODY BOWNET GASKET
386	BODY YOKE STUD
387	BODY YOKE STUD NUT
415	EYEBOLT
420	EYEBOLT NUT
425	EYEBOLT BOLT
495	HANDWHEEL NUT
505	INDICATOR KEY
600	HANDWHEEL
752	BEARING
756	RETAINING RING SCREW
767	INDICATOR SCREW

REV	Description	Drawn	Date	Approved	Date

		Description Detail:	
RINGO VALVULAS & LIST OF MATERIALS		Title: GLOBE VALVE PRESSURE SEAL 900#	
Drawn	JLO	Date	10/03/04
Gen Tol	±0.4	Scale	A3
Sheet	1 / 1	Drwg No.	GR09PS2
Approved		REV	0