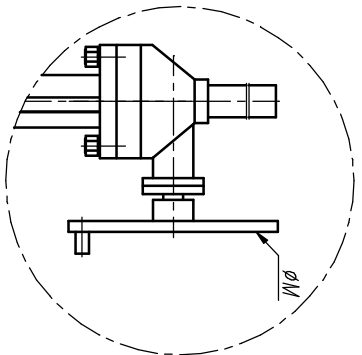
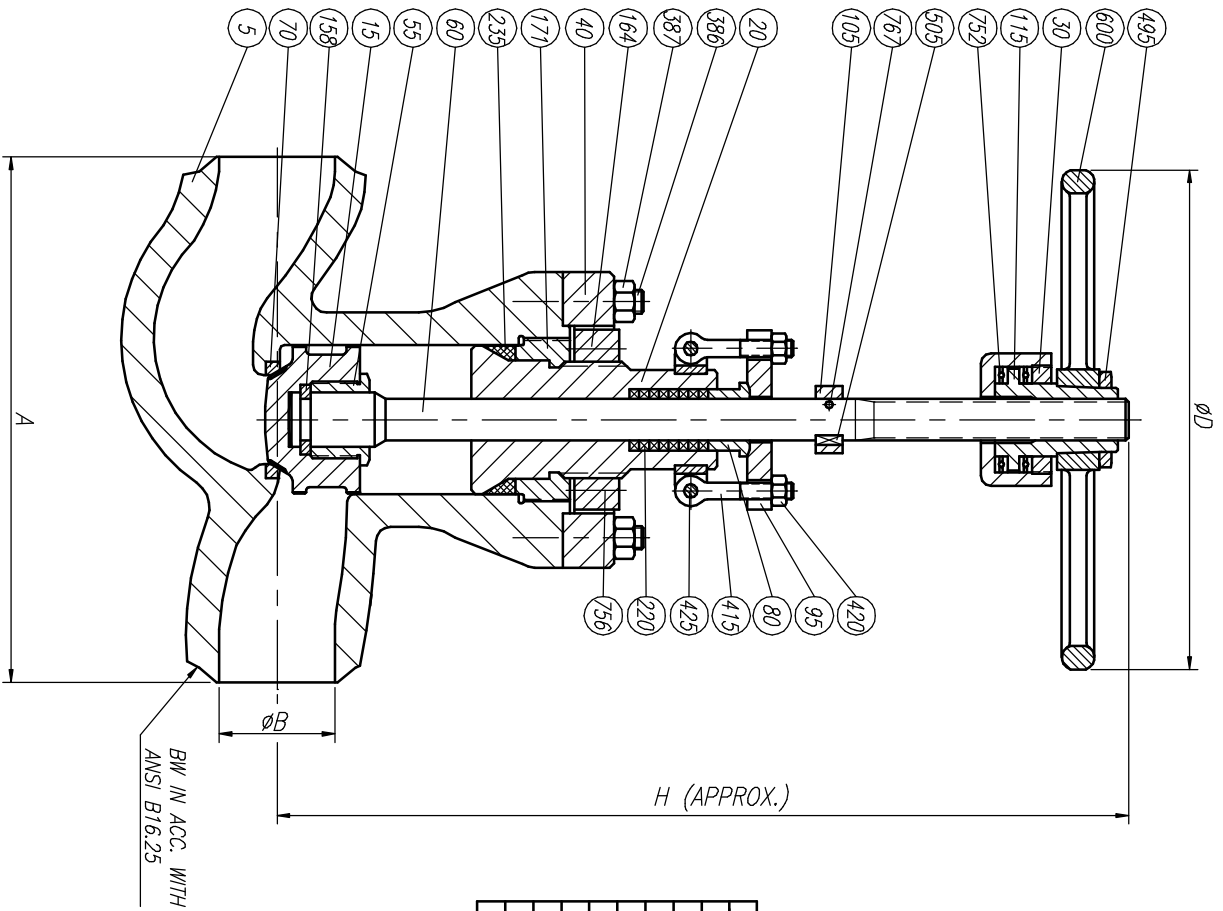


ELECTRICAL AND PNEUMATIC OPERATION UPON REQUEST



SIZE	A(BW)	ØB	H	ØD	ØM	WEIGHT
3"	469	70	635	350	—	95
4"	546	92	774	500	—	155
6"	704	136	1100	600	—	400
8"	831	178	1500	—	500	640
10"	990	222	1800	—	600	1200
12"	1130	263	1750	—	800	1600
14"	1257	289	1990	—	800	2200
16"	1397	330	2125	—	800	2800
18"	1574	371	2300	—	800	3400

POS.	DESCRIPTION
5	BODY
15	DISC
20	BONNET
30	BEARING BONNET
40	YOKE
55	DISC NUT
60	STEM
70	SEAT RING
80	GLAND
95	GLAND FLANGE
105	INDICATOR
115	STEM NUT
138	DISC RING
164	ADJUSTING RING
171	RETAINING RING
220	PACKING
235	BODY BONNET GASKET
366	BODY YOKE STUD
387	BODY YOKE STUD NUT
415	EYEBOLT
420	EYEBOLT NUT
425	EYEBOLT BOLT
495	HANDWHEEL NUT
505	INDICATOR KEY
600	HANDWHEEL
752	BEARING
756	RETAINING RING SCREW
767	INDICATOR SCREW

BW IN ACC. WITH
ANSI B16.25

REV	Description	Drawn	Date	Approved	Date

		Description RINGO VALVULAS GENERAL ASSEMBLY & LIST OF MATERIALS		Detail Gen Tol ±0.4 Sheet 1 / 1	
Drawn	JLO	Date	10/03/04	Scale	A3
Approved					

Title:	GLOBE VALVE PRESSURE SEAL 1500#
Dwg No.	GR15PS2
REV	0