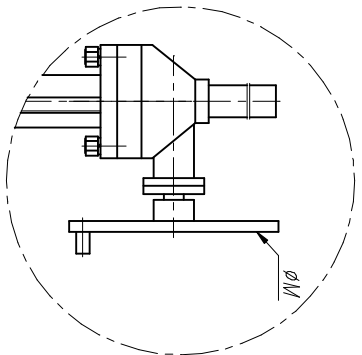
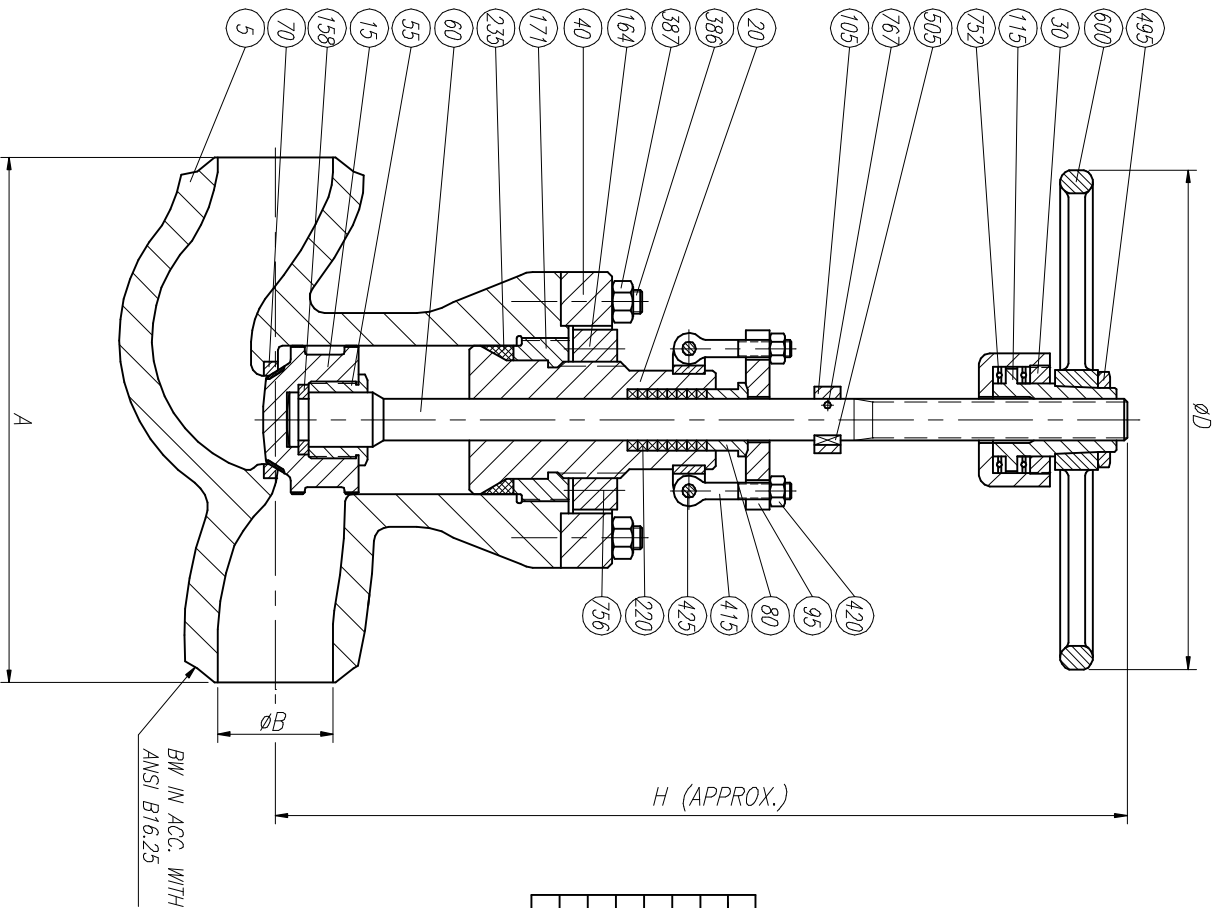


ELECTRICAL AND PNEUMATIC OPERATION UPON REQUEST



SIZE	A(BW)	ØB	H	ØD	ØM	WEIGHT
3"	578	57	780	500	—	160
4"	673	73	950	500	—	260
6"	914	112	1250	—	600	425
8"	1022	146	1500	—	700	660
10"	1270	184	1700	—	700	1250
12"	1422	219	1820	—	800	1750
14"	1600	241	2100	—	800	2300

LIST OF MATERIALS

POS.	DESCRIPTION
5	BODY
15	DISC
20	BONNET
30	BEARING BONNET
40	YOKE
55	DISC NUT
60	STEM
70	SEAT RING
80	GLAND
95	GLAND FLANGE
105	INDICATOR
115	STEM NUT
158	DISC RING
164	ADJUSTING RING
171	RETAINING RING
220	PACKING
235	BODY BONNET GASKET
386	BODY YOKE STUD
387	BODY YOKE STUD NUT
415	EYEBOLT
420	EYEBOLT NUT
425	EYEBOLT BOLT
495	HANDWHEEL NUT
505	INDICATOR KEY
600	HANDWHEEL
752	BEARING
756	RETAINING RING SCREW
767	INDICATOR SCREW

BW IN ACC. WITH
ANSI B16.25

REV	Description	Drawn	Date	Approved	Date

Drawn	JLO	Date	10/03/04	Gen Tol	±0.4	EScale	A3	Drwg No.	GR25PS2	REV	0
Approved				Sheet	1 / 1						

AD
ESPANA
RINGO VALVULAS

Detail
GENERAL ASSEMBLY
& LIST OF MATERIALS

Title:
GLOBE VALVE
PRESSURE SEAL
2500#