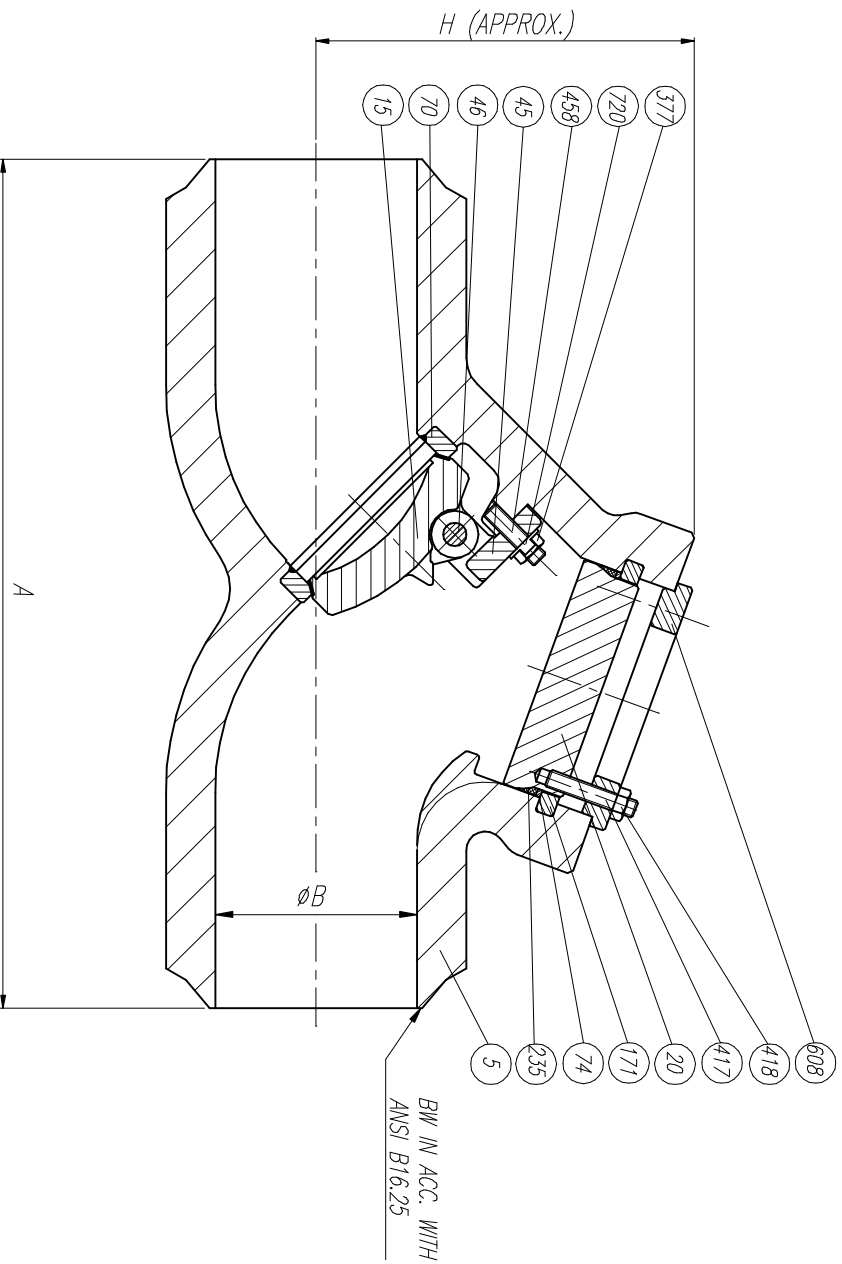


**LIST OF MATERIALS**

POS.	PART NAME
5	BODY
15	DISC
20	BONNET
45	HINGE
46	HINGE PIN
70	SEAT RING
74	PROTECTION RING
171	RETAINING RING
235	BODY BONNET GASKET
377	HINGE SUPPORT STUD NUT
417	SUCTION BONNET STUD
418	SUCTION BONNET STUD NUT
458	HINGE SUPPORT STUD
608	FIXATION BONNET PLATE
720	FIXATION BOLT PLATE
780	DISC STOP PIN



SIZE	A(BW)	ØB	H	WEIGHT
3"	304	69.8	254	70
4"	406	91.9	279	115
6"	558	136.4	368	250
8"	711	177.8	485	470
10"	863	222.2	585	800
12"	990	263.3	585	1350
14"	1066	288.7	660	1800
16"	1193	330.2	685	2200
18"	1346	371.3	765	2600
20"	1473	415.7	838	3400
24"	1752	498.3	965	4900

REV	Description	Drawn	Date	Appr	Date

		<b>RINGO VALVULAS</b> GENERAL ASSEMBLY & LIST OF MATERIALS		Title: <b>TLTING DISC VALVE</b> 1500#	
Drawn	JLO	Date	26/03/04	Scale	—
Appr		Sheet	1 / 1	Size	A3
				Drwg No	RR15PS3
				REV	0