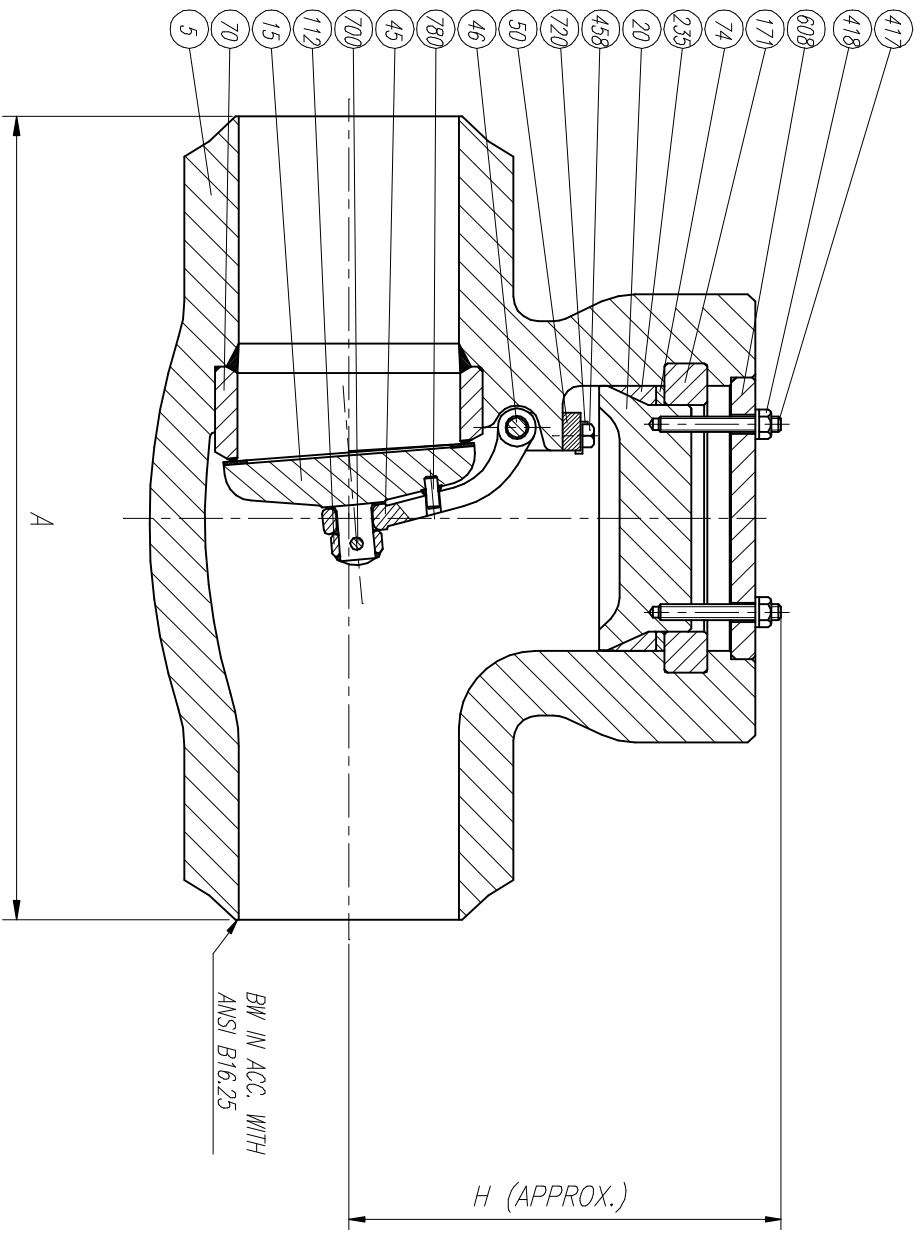


**LIST OF MATERIALS**

POS.	PART NAME
5	BODY
15	DISC
20	BONNET
45	HINGE
46	HINGE PIN
50	HINGE SUPPORT
70	SEAT RING
74	PROTECTION RING
112	DISC NUT
171	RETAINING RING
235	BODY BONNET GASKET
417	SULECTION BONNET STUD
418	SULECTION BONNET STUD NUT
458	HINGE SUPPORT BOLT
608	FIXATION BONNET PLATE
700	DISC NUT PIN
720	FIXATION BOLT PLATE
780	DISC STOP PIN



SIZE	A(BW)	H	WEIGHT
3"	460	280	140
4"	510	310	255
6"	609	405	625
8"	863	590	1060
10"	965	700	1875
12"	1041	750	2645
14"	1143	810	3450

REV	Description	Drawn	Date	Appr	Date

	<b>RINGO VALVULAS</b> GENERAL ASSEMBLY & LIST OF MATERIALS	Title: PRESSURE SEAL CHECK 4500#
Drawn Date Appr	Description Detail Gen Tol ± 0.4 Sheet 1 / 1	Scale — Size A3 Dwg No RR45PS2 REV 0